

## Millikan Laboratory & Andrew Science Hall

Pomona College

---

05.12.2016

**Nate Eppley, PE, LEED AP**

[neppley@integralgroup.com](mailto:neppley@integralgroup.com)



# ORIGINAL BUILDING

---



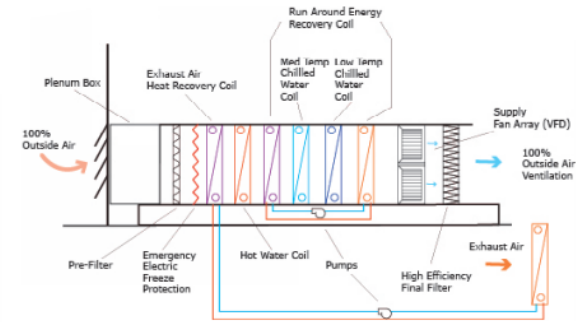
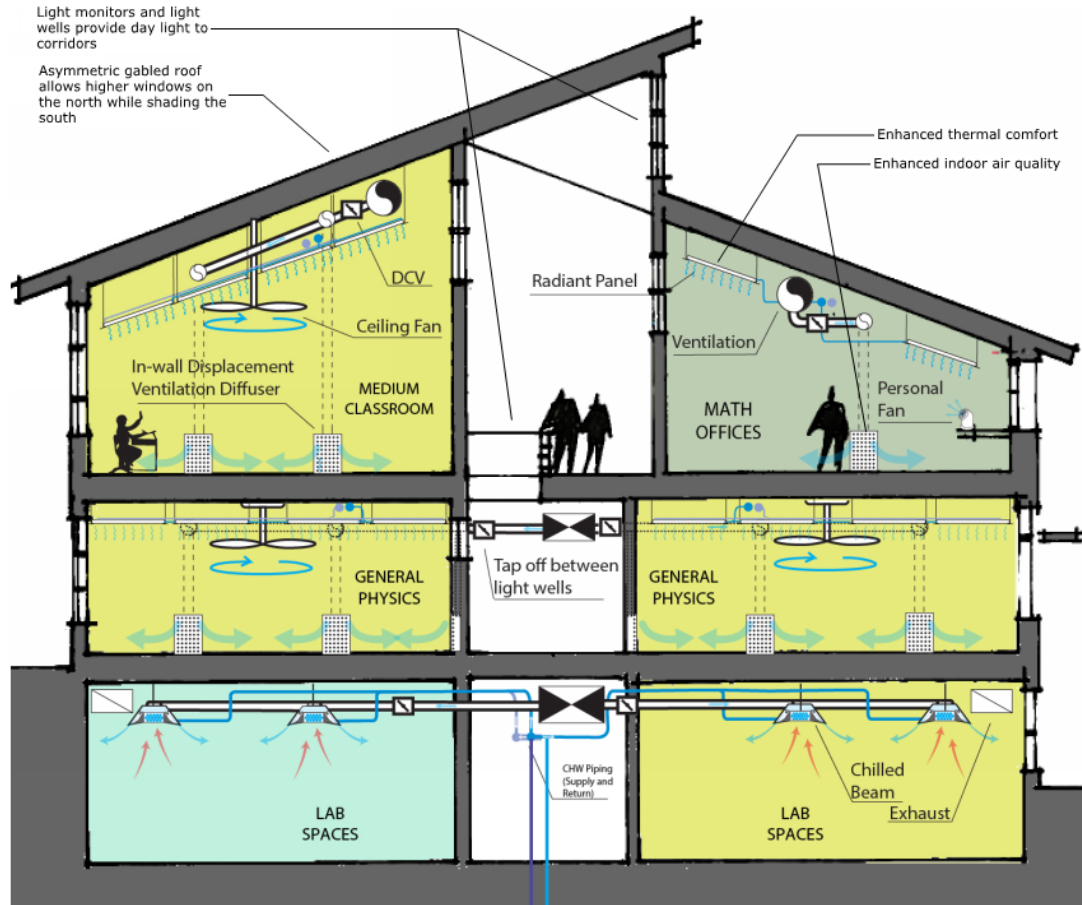
# NEW BUILDING

---

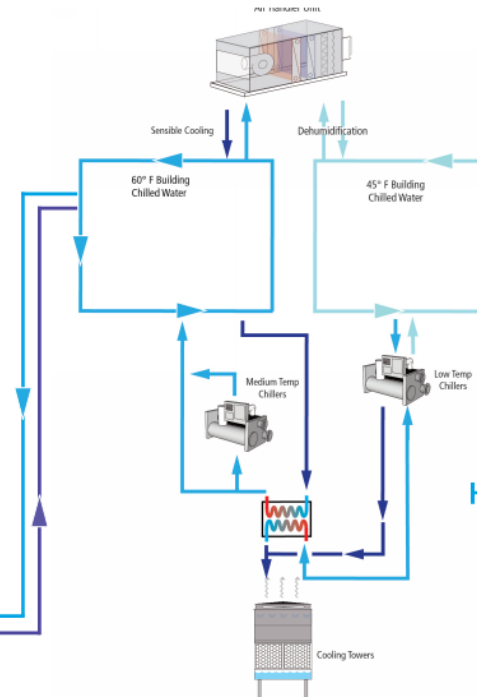


# SCHEMATICS

## OVERALL



**High-Efficiency Air Handler Design**



**High-Efficiency Hydronic Design**

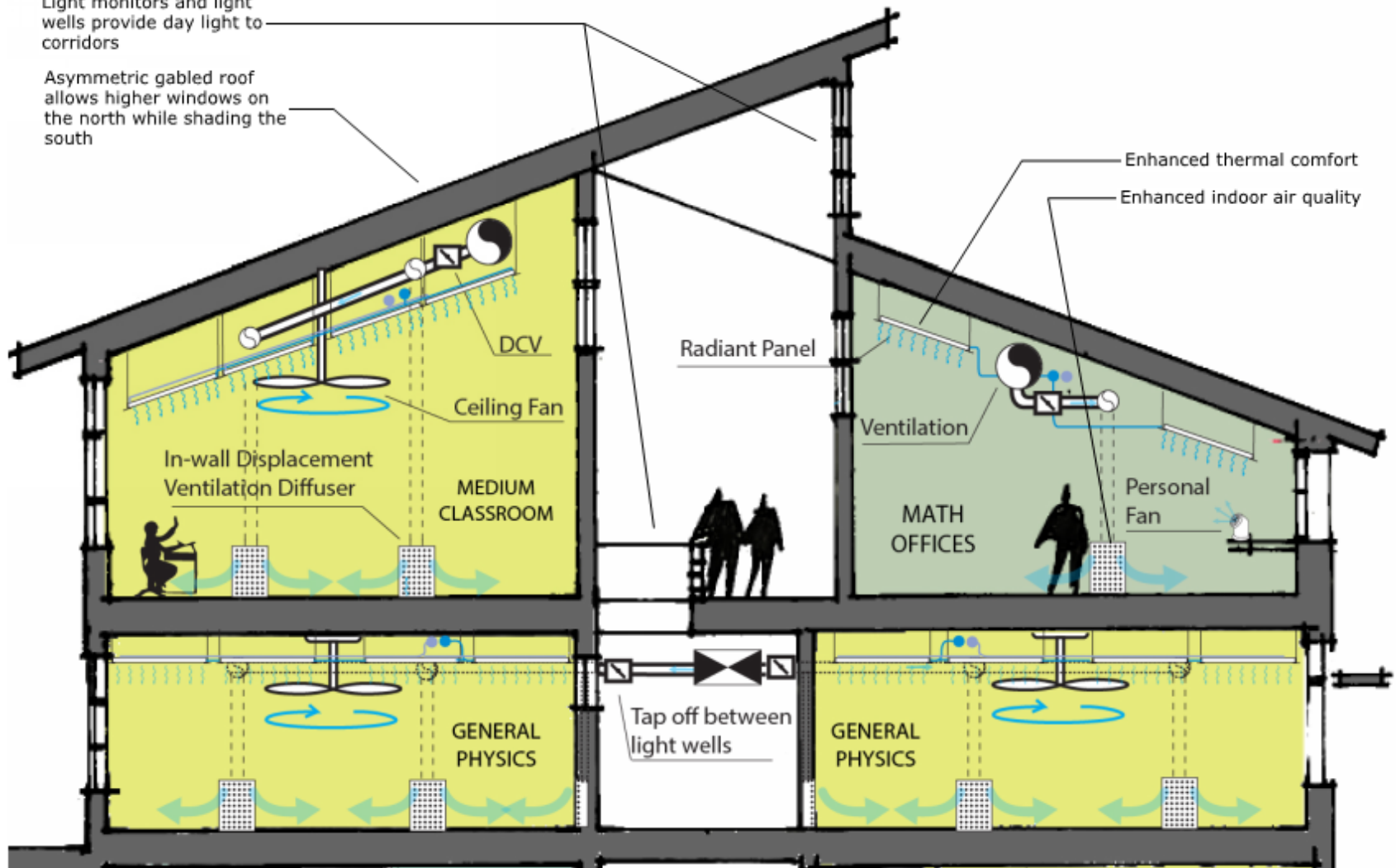
**Overall Building Concept**

# SCHEMATICS

## CLASSROOMS / OFFICES

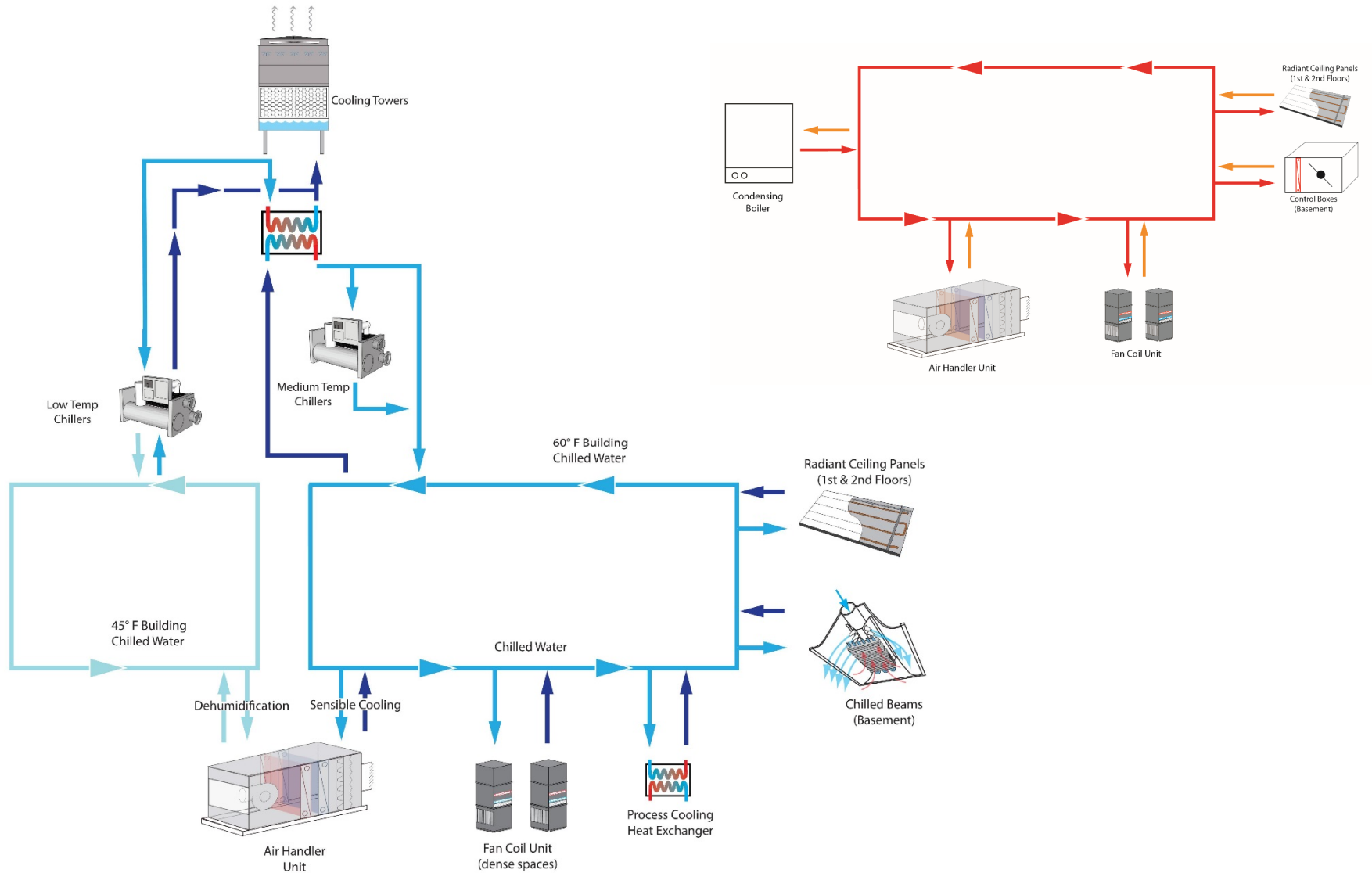
Light monitors and light wells provide day light to corridors

Asymmetric gabled roof allows higher windows on the north while shading the south



# SCHEMATICS

## HYDRONIC SYSTEM



# SCHEMATICS

## AIR SYSTEM

